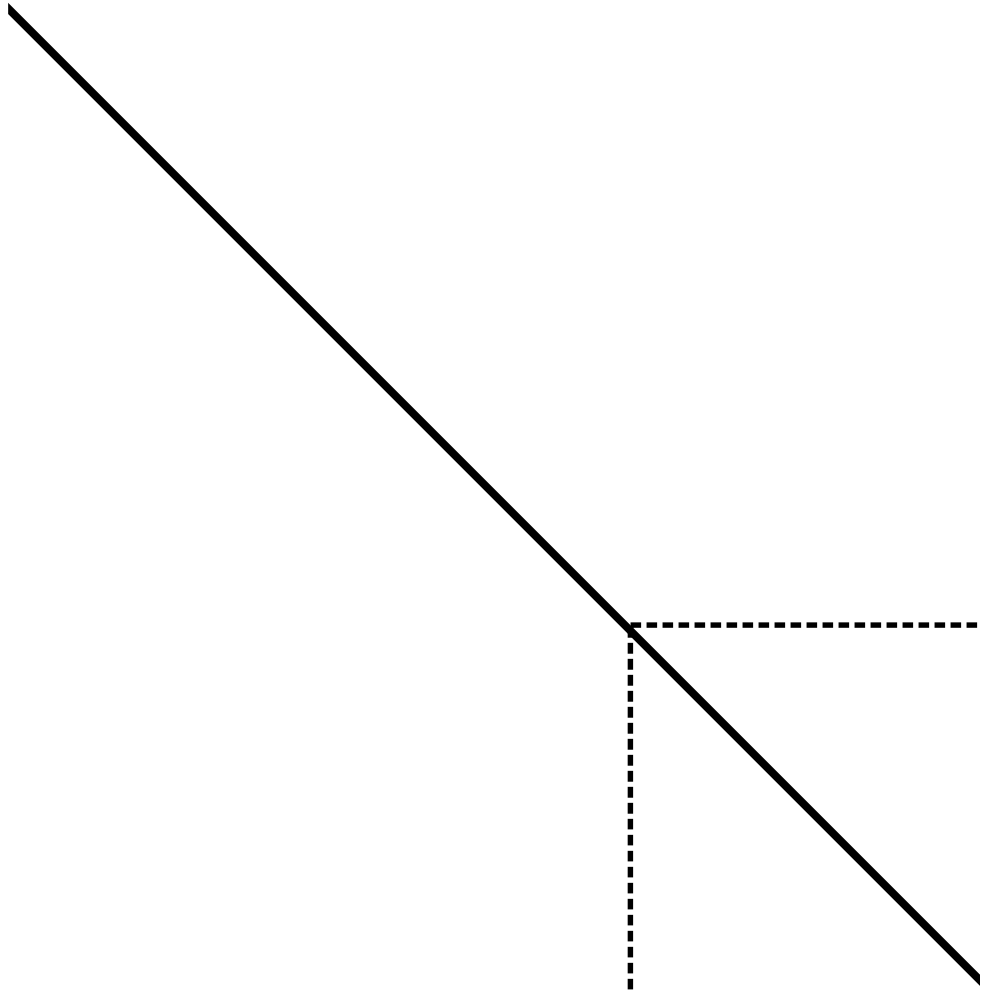
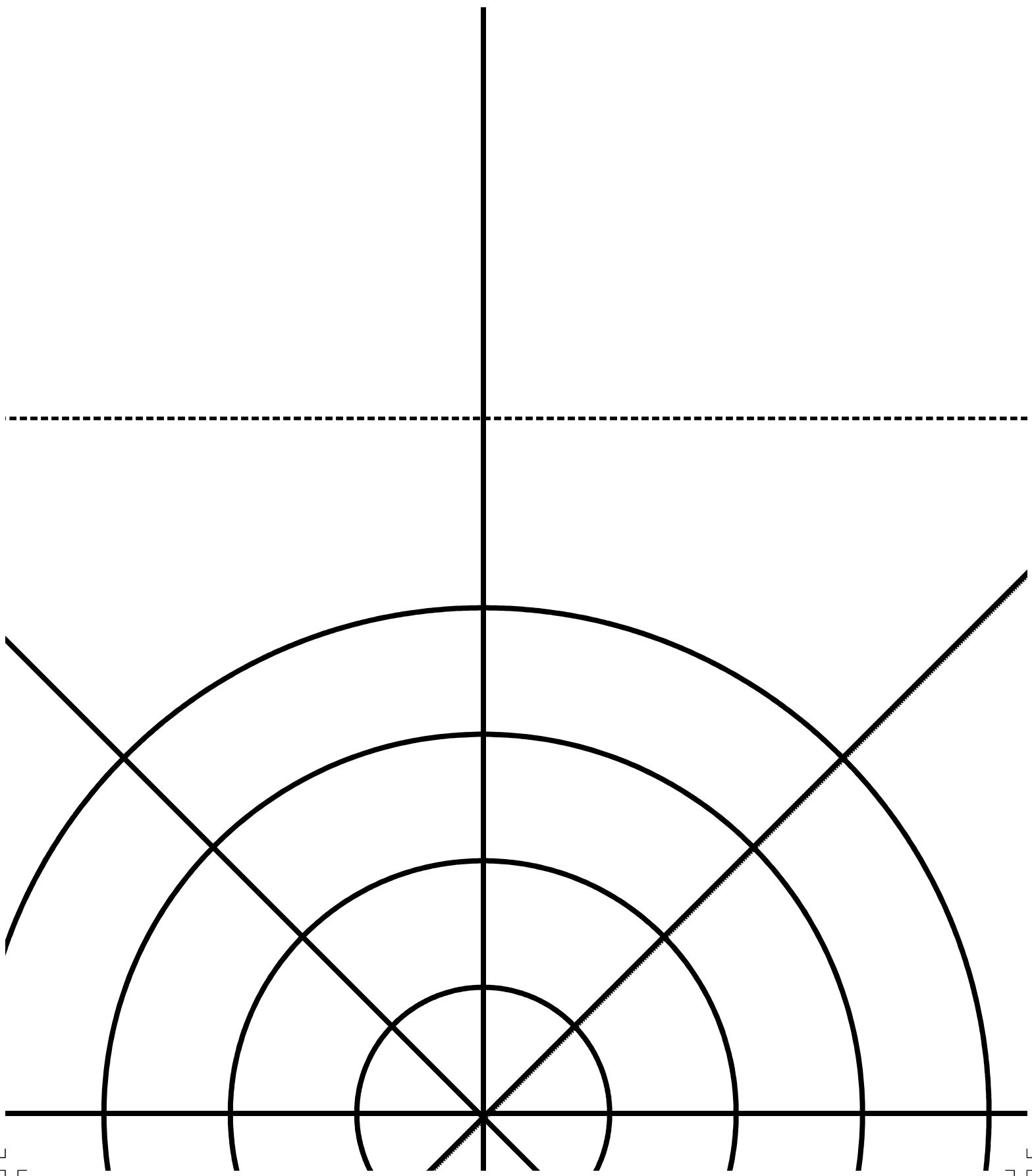


(1, 1)



┌└ (2,1)

┌└



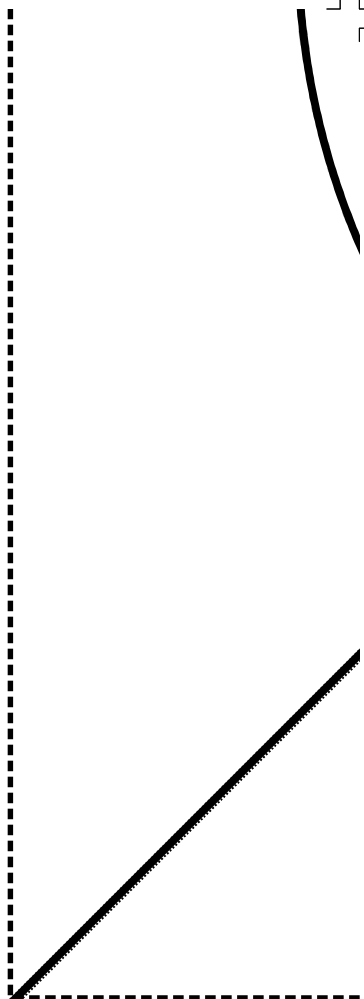
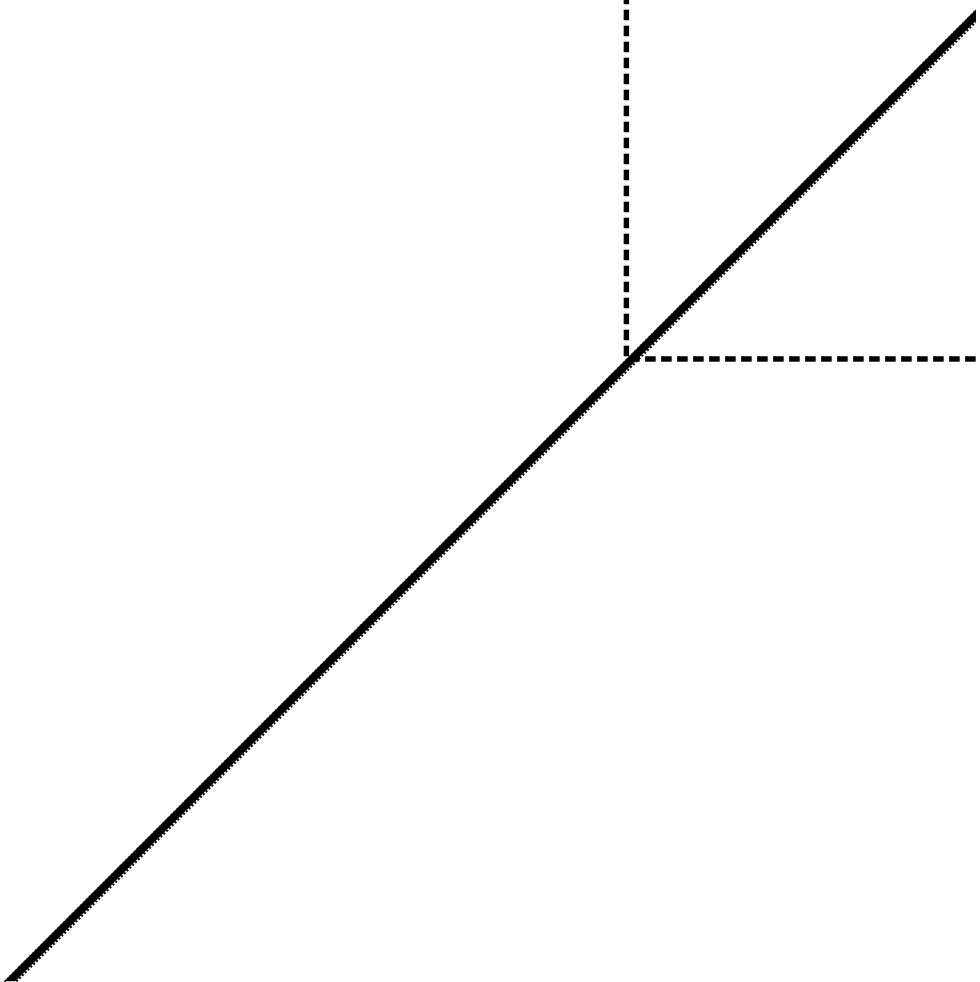
┌└

┌└

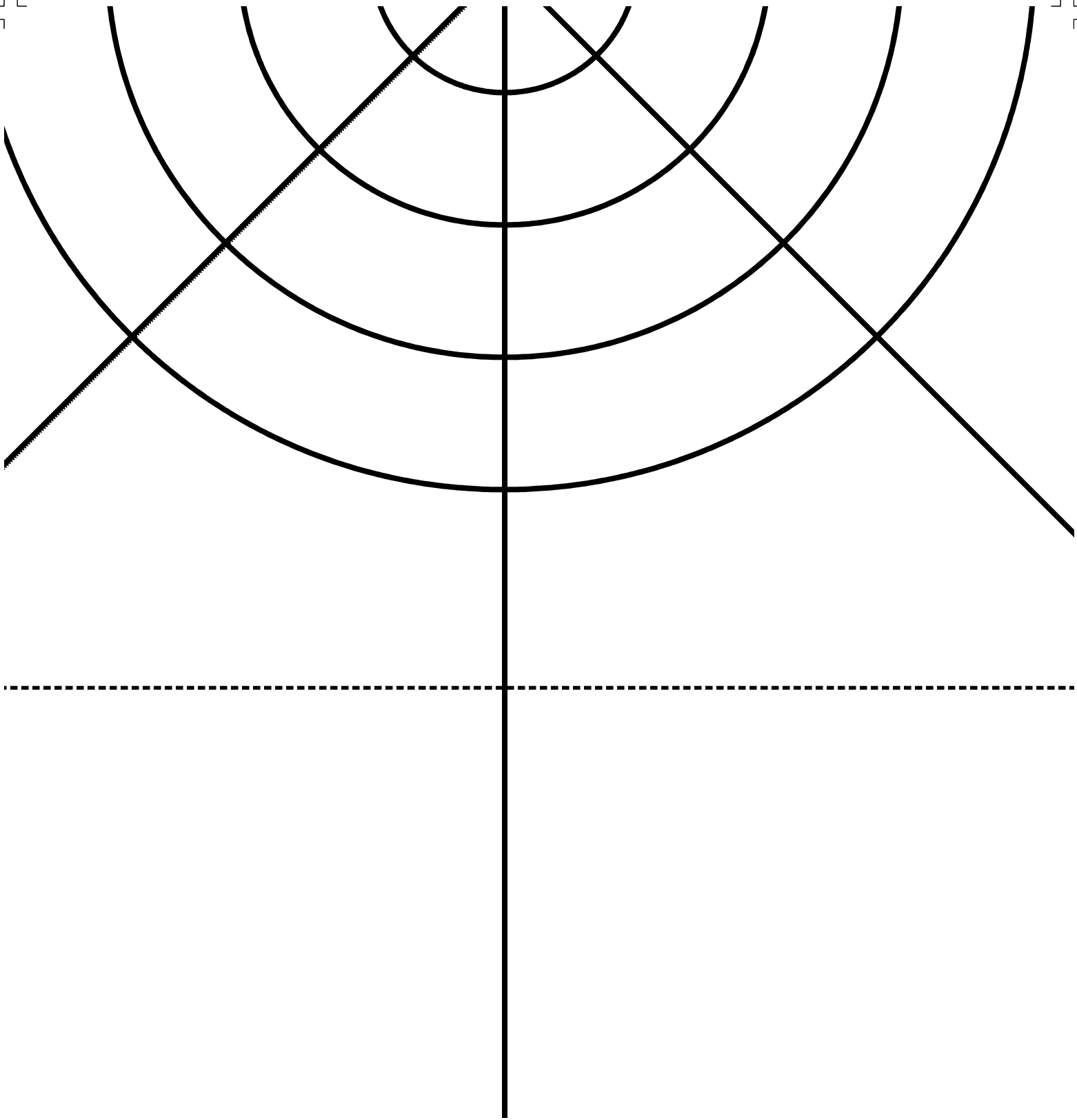
┌┐ (3, 1)



(1, 2)



(2, 2)



(3, 2)

